



Dispatch Console Budgetary Proposal For
Garden Grove Police Department 5/1/17

 russbassett

TABLE OF CONTENTS

Section 1 – Introduction _____

Introduction Letter _____

Section 2 – References _____

Partial List of California Installations _____

Westminster Police Department _____

University of California, Irvine Police Department _____

Section 3 – Technical Information _____

Quote _____

Floor Plan _____

Renderings _____

Schematics _____

Planning Checklist _____

Section 4 – Product Information _____

Public Safety Brochure _____

Data Sheets _____

Warranty Statement _____

Product Specifications _____

Color Finishes _____

Section 1

Introduction Letter

May 1, 2017

Rebecca Meeks
Communications Manager
Garden Grove Police Department
11301 Acacia Parkway
Garden Grove, CA 92840

Garden Grove Public Safety Communications Center – Russ Bassett Console Budgetary Proposal

Rebecca:

On behalf of the Russ Bassett team, I would like to thank you for the opportunity to provide a proposal for the design, manufacture, delivery and installation of the new Dispatch Console Furniture.

Russ Bassett is an industry leading designer and manufacturer of consoles for mission critical environments. We have been in business for over 55 years and have a state of the art 110,000 square foot manufacturing facility and showroom in Whittier, CA. Russ Bassett has the proven expertise and experience in the layout, design manufacture and installation of mission critical console systems based on our successful similar project work at public safety facilities such as The San Bernardino Sheriff's High Desert Government Center, Hamilton County (Chattanooga, TN), Sarasota County Sheriff (Sarasota, FL) and Louisville MetroSafe; Airline Operational Control Centers such as Delta, United, American and Southwest and Federal Government agencies such as FAA and FBI. Local Orange County area installations include the Westminster and University of California, Irvine Police Dispatch Centers and more recently the Orange County Sheriff Department's Control One area at the Loma Ridge Communication Center.

We recognize that PSAP environments pose unique challenges and demands. Russ Bassett provides a complete line of PSAP furnishings that offer Emergency Call Centers a product with unparalleled structural integrity, full sit to stand ergonomic adjustability, complete cable management and advanced technology integration.

This proposal contains console descriptions, quote, drawings and product information. Project pricing is based on our CMAS contract. Please consider bringing your Team to review the proposal at our Whittier Showroom.

The following budget total is meant to provide you with an estimated amount for the project. Included in the estimate are the necessary elements for a successful project per our conversations to date with the Garden Grove Team. These include turnkey design, project management, console materials, single phase, dismantle and disposal of existing furniture and delivery/installation services for the new consoles. Work scope hours are quoted as 8:00 am to 5:00 pm Monday through Friday. Rates quoted are standard wage rates. Grounding jumpers are included. Actual attachment of ground wires to grounding grid are the owners responsibility.

The budget excludes dual-lift worksurfaces, source electrical and communications cabling, extended monitor cables, monitor mounting, anchoring, floor coring, removal/installation or handling of existing technology, extended monitor cables and monitor mounting. The quote does not include the chairs, monitors, keyboards or mice shown in the drawings.

A summary of the project product configuration and project total cost follows:

(8) Russ Bassett Dispatch Consoles - Pricing Summary

Services Include:

- Design layouts & console configurations
- Survey of requirements & objectives
- Equipment checklist, space planning and floorplans
- CAD drawing packages and revisions
- Photo realistic color renderings & sign off
- Dedicated Support Representative & Dedicated Project Manager
- Coordinate with architectural, design and construction firm
- Coordinate with data/electrical/technology providers to ensure project completed on time and within budget
- Establish project timelines & attend project meetings
- Single phase Installation, including removal and disposal of existing console furniture
- Delivery & Installation checklist
- Assemble & stage console configurations prior to shipment
- Specialized packaging & transportation carriers
- Russ Bassett Certified Installers
- Installation Survey

Consoles Include:

- Personal Environment System (Filtered Air & Forced Air Heat)
- Heavy Duty Lifting Columns
- Anti-Collision Technology
- Molded Urethane Comfort Edge
- Slatwall Mounted, Individually Adjustable, Fully Articulating Monitor Arms
- Dimmable Led Task Light
- (1) Desktop Convenience Outlet (external 1-power, 2-powered USB connections and internal USB connections)
- Fixed Drawer/Storage Pedestal
- CPU Storage Cabinets with Slide-Out Shelf

| | |
|---|----------------------------|
| Product Total: | \$ 90,231.32 |
| Sales Tax: | \$ 6,992.94 |
| Freight & Installation Services: | <u>\$ 16,535.00</u> |
| Grand Total: | \$ 113,759.26 |

Below are a few key features that differentiate the Russ Bassett Desience Flex product platform from other options you may be considering:

- **Individually Adjustable Monitor Arms**

When it comes to monitor mounts, we strive to be the most flexible provider available. As our standard, Desience consoles utilize individually adjustable monitor arms (both a double-stack and single arm version) that are fully articulating and designed to universally accommodate differing monitor sizes and weights. Individually adjustable monitor arms allow each user to adjust monitors to their focal depth and angle preferences so that they can be super comfortable as they work.

- **Large, Uninterrupted Work Surface**

Desience consoles are designed to allow a full single-lift surface to achieve the BIFMA ergonomic standards for input device platforms, meaning a separate keyboard surface is not required. Your writing surface, work area, telephones and other peripheral devices are all at the same comfortable height as your keyboards. Height adjustment range is from 22.2" to 48" from the floor to the top of the work surface, which exceeds the HFES 100-2007, ANSI/BIMFA G1-2002 and all European standards for input device platforms.

- **Durable - Molded Front Edge**

Desience work surfaces utilize an injection molded urethane edge that provides a comfortable, durable, liquid tight edge. There is no exposed hardware on our consoles making them aesthetically appealing, comfortable and extremely tough.

- **Safety – Anti-Collision Technology**

Desience Flex consoles utilize in-house fabricated anti-collision switch covering the area of the user where the surface could lower onto a chair or operator. If the surface is lowered onto an object (such as a chair) the anti-collision technology is activated and the work surface rises up slightly avoiding any contact.

- **Cable Management**

We obsess over orderly cable management! You cannot put your foot up and disconnect a mouse, keyboard or anything else! All PCs and peripheral equipment, monitor video and power cables, source electrical and commutations cabling, etc. all occur within the console! Desience consoles include a large cable trough around the back edge of the worksurface. Power strips are mounted inside the trough for easy access. The trough is accessed by flipper doors rather than brush grommets or rubber flaps. The flipper doors have gaps above and below so that equipment cables from the slatwall or monitor mounting system can drop over the door and cables from the worksurface can route under the door, and the door can still open. The door is easily removed with spring pins, allowing full access to the trough during setup and reconfiguring. From the monitor arms and desktop, into the slatwall wire management trough, down the cable chains, into the structural wall and out into the PC enclosure spaces we properly manage all audio, video, power and network cables to keep all mission critical systems easily accessible and the console easily retrofittable.

- **Welded Steel Framework**

Desience consoles are welded steel rather than bolted extrusions and/or wood panels, offering superior rigidity (particularly beneficial for reconfiguring) and superior heat dispersion. While we do offer exhaust fan kits for technology storage areas, they are almost never required because the welded steel consoles are very well ventilated and disperse heat rather than insulating it. With Russ Bassett you can achieve the required heat dispersion without exhaust fans, reduce electricity consumption, vibration, noise and future maintenance issues. Lift off PC enclosure top panels, front and rear doors are all vented for maximum air flow. The console frames are mostly open to the floor for ease of coordinating the location of floor cores and the integration of source electrical and communications cabling.

Our goal is that every Russ Bassett client has an excellent experience working with us from project inception through successful project installation. Our references will attest that we will not only meet your expectations, we will exceed them. We will bring drive, integrity, attention to detail, and excellent service to your team during every stage of the project.

Respectfully,



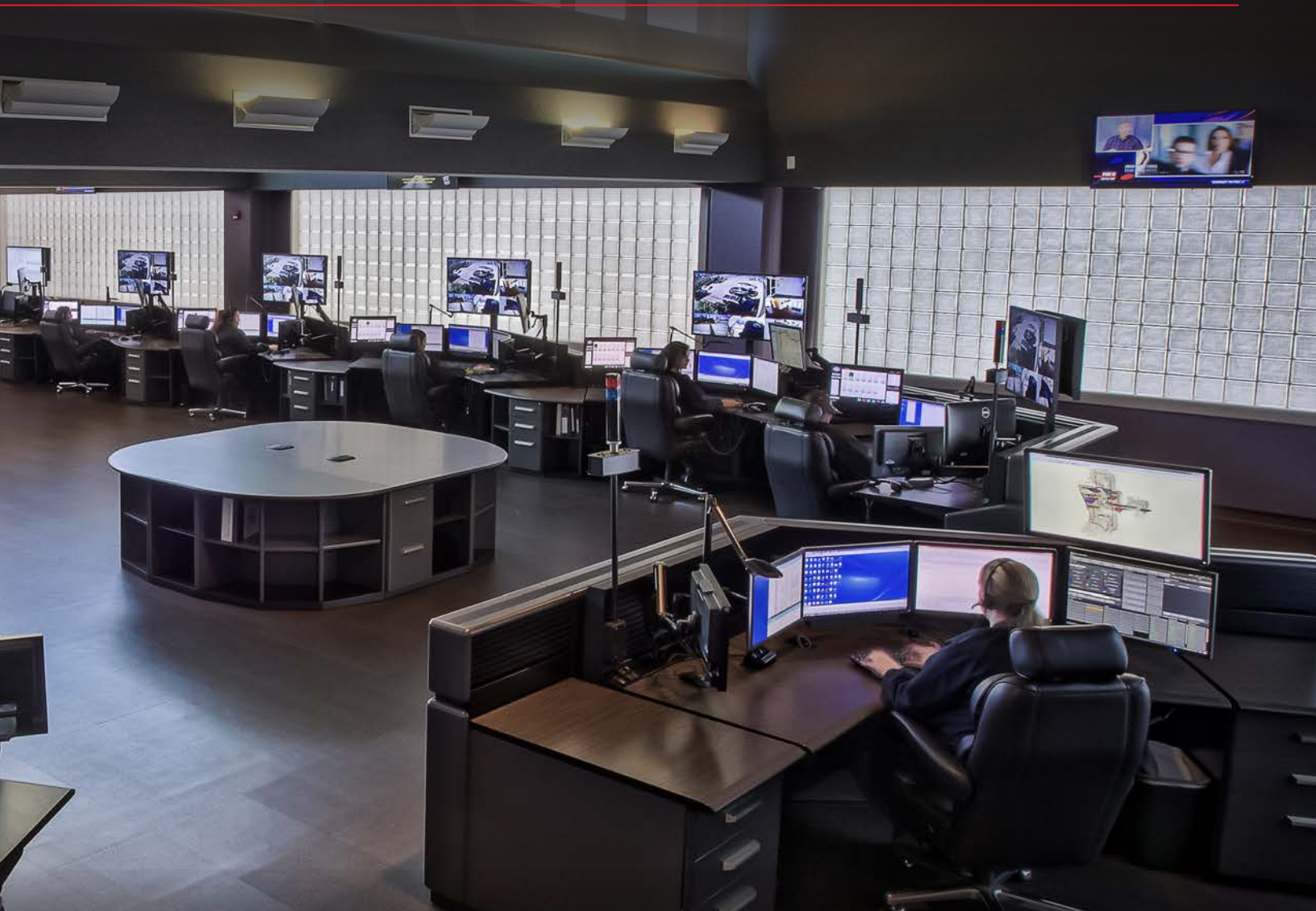
Ava Rabago
Desience Sales Executive

References Installations
Westminster Police Dept.
UCI Police Dept.

Section 2

CALIFORNIA

PUBLIC SAFETY INSTALLATIONS



“I would like to thank the entire Russ Bassett team for making our vision a reality. The quality of your product and the professionalism of your staff more than exceeded our expectations.”

SHANNON KAUFFMAN
SOUTH BAY REGIONAL PUBLIC COMMUNICATIONS AUTHORITY



Pictured: South Bay Regional Public Communications Authority

CALIFORNIA PUBLIC SAFETY INSTALLATIONS

• Alhambra Police Department • Anaheim Police Department • Azusa Police Department • Baldwin Park Police Department • Beaumont Police Department • Bell Police Department • Brea Police Department • Burbank Police Department • California Highway Patrol - Bakersfield • Cathedral City Police Department • Chino Police Department • Clovis Police Department • Covina Police Department • CSULA Police Department • El Cajon Police Department • Escondido Police Department • Fairfax P.D. • Fresno County Sheriff's Office • Fresno P.D. • Fullerton Police Department • Healdsburg P.D. • Heartland Fire Communications • Hemet Police Department • Huntington Beach Police Department • Indio Police Department • Irwindale Police Department • Jet Propulsion Laboratory Dispatch • La Habra Police Department • La Mesa Police Department • Laguna Beach Police Department • Los Angeles County Fire Department • Los Gatos Police Department • Marin County Sheriff's Office • Menlo Park Police Department • Metro Cities Fire Authority • Mono County Sheriff's Office • Mt. Shasta P.D. • Newport Beach Police Department • Newport Beach Police Records • Novato Police Department • Oceanside Police Department • Orange County Sheriff's Department • Orange Police Department • Palm Springs Police Department • Pasadena Police Department • PG&E (Concord, Fresno, Rocklin) • Placentia Police Department • Pomona Police Department • Port of Long Beach Harbor Patrol • Reedley Police Department • Riverside Police Department • Saddleback Community College Police • San Bernardino Sheriff • San Diego Police Department • San Diego Sheriff's Department • San Gabriel Police Department • San Luis Obispo Police Department • Santa Clara County • Sebastopol Police Department • Selma Police Department • Sierra Madre Police Department • Signal Hill Police Department • South Bay Regional Public Communications Authority • Torrance Police Department • Tustin Police Department • University of California, Santa Barbara Police Department • University of Irvine Police Department • Vallejo Police Department • Ventura Police Department • Verdugo Fire Department • Weed Police Department • Westminster Police Department • Whittier Police Department • Yreka Police Department



Westminster Police Department

Kevin Baker, Chief of Police

8200 Westminster Boulevard, Westminster, CA 92683 714.898.3315
www.westminster-ca.gov

Date: August 27, 2013

Peter Fink, President
Russ Bassett Corporation
8189 Byron Road
Whittier, CA 90606

Dear Mr. Fink,

When we started researching adjustable dispatch furniture, it quickly became evident that Russ Bassett was the premier company for supplying dispatch consoles. Your company came highly recommended by several Communications Managers for the quality of the product and outstanding customer service.

In 2011, Russ Bassett Corporation installed the Desience Dispatch Consoles and office furniture in the Emergency Communications Center located in our new police facility. Russ Bassett was very involved in the planning phase of the new building to help us optimize the layout of our center. Ava Rabago and Nathan Drake attended numerous meetings with contractors and key stakeholders, working very well with everyone involved. In the many years we have worked with Russ Bassett, your employees have consistently proven to be prompt, reliable, and responsive to our needs.

As the Desience Sales Executive, Ava Rabago has been our primary contact. She is knowledgeable, dedicated to providing excellent customer service, and truly a pleasure to work with. She takes a sincere interest in learning about the duties and responsibilities of dispatchers and how it affects their furniture needs so she can better service her customers. Even two years after our installation, she calls to see if the furniture still meets our satisfaction.

Every Russ Bassett employee we have had contact with has been friendly, helpful, and quick to respond to questions or requests. We have truly enjoyed working with your company and the dedicated employees you have employed.

I would highly recommend Russ Bassett to any law enforcement agency looking for Desience furniture. Please do not hesitate to use our agency as a reference in the future.

Sincerely,

A handwritten signature in black ink, appearing to read "Kevin Baker".

Kevin Baker
Chief of Police

Service with Integrity



POLICE DEPARTMENT

IRVINE, CALIFORNIA 92697-4900

June 29, 2016

UCIPD Dispatch underwent a major remodel and CPE upgrade in 2015. In researching various furniture vendors, I was drawn to Russ-Bassett because of its reputation for the durability and functionality of its product and superb cable management. I had heard that the company did an outstanding job working with dispatch centers with design and installation, but I had no idea just how superb they were until I started working with Ava Rabago on our project. Ava was able to look at our existing room, our future plans and space constrictions, and come up with a design that not only gave us an additional workstation, but with the configuration we needed. Russ-Bassett designers drew up numerous plans, working closely with our IT department, consultant, architect, cabling and construction contractors, electricians, and our phone vendor to develop furniture that would fit all our needs. They were very accommodating when scheduling installation, again meeting the needs of our IT and phone vendor. After installation, Ava continued to make suggestions that we were able to implement to give us even more space on our workstations and within the cabinets housing PCs and cables.

The end result is a clean, comfortable, and beautiful dispatch center that we are proud of and enjoy working in. With the help of Russ-Bassett, we were able to obtain our dream of four work-stations in an open, spacious-looking design. We love our furniture and what it has done for UCIPD!

Barbara Barry
Dispatch Supervisor
University of California Irvine Police Department

Section 3

Technical Information
Quote
Floor Plan
Renderings
Schematics
Checklist

Quotation



8189 Byron Road Whittier, CA 90606
 Tel: 800.350.2445 Fax: 562.698.8972
 www.russbassett.com

PROJECT #: DC-10452-01 **Option: 9**
REVISION: D
PROJECT NAME: Garden Grove Police Department

| | |
|--|---|
| QUOTE DATE: 4/28/2017 | DESIENCE SALES EXECUTIVE: Ava Rabago |
| EXPIRATION DATE: 10/23/2017 | ADDRESS: 8189 Byron Rd Whittier, CA 90606 |
| CUSTOMER: Garden Grove Police Department | PHONE: (562) 505-4719 |
| CONTACT: Rebecca Meeks | EMAIL: arabago@russbassett.com |
| ADDRESS: 11301 Acacia Parkway Garden Grove, CA 92840 | PROJECT COORDINATOR: Ashley Garcia |
| PHONE: 714-741-5904 | PHONE: (562) 945-2445 xt 3399 |
| FAX: | FAX: (562) 698-8972 |
| EMAIL: rebeccam@ci.garden-grove.ca.us | EMAIL: agarcia@russbassett.com |

10483

| QTY | PART NUMBER | DESCRIPTION | CMAS PRICE | EXTENDED |
|----------------|---------------------|--|----------------------|---------------------|
| AREA: 1 | | | AREA 1 TOTAL: | \$ 89,891.72 |
| 2 | FSW-07-1842-SWN-SWN | Flex Wall, 07D, 18L x 42H, Slatwall Side A, Slatwall Side B | \$ 447.21 | \$ 894.42 |
| 1 | FSW-07-1842-EMT-SWN | Flex Wall, 07D, 18L x 42H, Empty Side A, Slatwall Side B | \$ 317.96 | \$ 317.96 |
| 2 | FSW-07-2442-EMT-SWN | Flex Wall, 07D, 24L x 42H, Empty Side A, Slatwall Side B | \$ 328.30 | \$ 656.60 |
| 6 | FSW-07-3042-EMT-EMT | Flex Wall, 07D, 30L x 42H, Empty Side A, Empty Side B | \$ 209.39 | \$ 1,256.34 |
| 4 | FSW-07-3042-EMT-SSP | Flex Wall, 07D, 30L x 42H, Empty Side A, Sit-Stand Powder Side B | \$ 302.45 | \$ 1,209.80 |
| 1 | FSW-07-3042-EMT-SWN | Flex Wall, 07D, 30L x 42H, Empty Side A, Slatwall Side B | \$ 338.64 | \$ 338.64 |
| 6 | FSW-07-3642-SSP-SSP | Flex Wall, 07D, 36L x 42H, Sit-Stand Powder Side A, Sit-Stand Powder Side | \$ 405.85 | \$ 2,435.10 |
| 2 | FSW-07-3642-EMT-SSP | Flex Wall, 07D, 36L x 42H, Empty Side A, Sit-Stand Powder Side B | \$ 312.79 | \$ 625.58 |
| 1 | FSW-07-3642-EMT-SWN | Flex Wall, 07D, 36L x 42H, Empty Side A, Slatwall Side B | \$ 348.98 | \$ 348.98 |
| 1 | FBP-1842-VPS | Flex Back Panel, 18W x 42H, Vented, Powder, Square | \$ 188.71 | \$ 188.71 |
| 2 | FBP-2442-VPS | Flex Back Panel, 24W x 42H, Vented, Powder, Square | \$ 193.88 | \$ 387.76 |
| 11 | FBP-3042-VPS | Flex Back Panel, 30W x 42H, Vented, Powder, Square | \$ 199.05 | \$ 2,189.55 |
| 3 | FBP-3642-VPS | Flex Back Panel, 36W x 42H, Vented, Powder, Square | \$ 204.22 | \$ 612.66 |
| 1 | FTC-0736-V-S | Flex Top Cap, 7D x 36W, Vented, Square | \$ 113.74 | \$ 113.74 |
| 1 | FTC-0760-V-S | Flex Top Cap, 7D x 60W, Vented, Square | \$ 134.42 | \$ 134.42 |
| 1 | FTC-0766-V-S | Flex Top Cap, 7D x 66W, Vented, Square | \$ 139.59 | \$ 139.59 |
| 1 | FTC-0772-V-S | Flex Top Cap, 7D x 72W, Vented, Square | \$ 144.76 | \$ 144.76 |
| 3 | FTC-0784-V-S | Flex Top Cap, 7D x 84W, Vented, Square | \$ 155.10 | \$ 465.30 |
| 3 | FTC-0790-V-S | Flex Top Cap, 7D x 90W, Vented, Square | \$ 160.27 | \$ 480.81 |
| 3 | FCC-07L-9042-EPS | Flex Corner Connector, 7D, 90° L-Type, 42H, Exterior, Powder, Square | \$ 237.82 | \$ 713.46 |
| 2 | FEC-ASL-0742-B-S | Flex Back-to-Back End Cap, Linear, Single Lift Sit-Stand, 7" Wall, 42"H, Squ | \$ 310.20 | \$ 620.40 |
| 4 | FEC-FH-0742-S | Flex End Cap, Fixed Height, 7" Wall, 42"H, Square | \$ 206.80 | \$ 827.20 |
| 1 | FPT-302428-RD-S-N-S | Flex Technology Pedestal, 30D x 24W x 28H, Right Swing, Square, No Loc | \$ 480.81 | \$ 480.81 |
| 1 | FPT-302428-LD-S-N-S | Flex Technology Pedestal, 30D x 24W x 28H, Left Swing, Square, No Lock, | \$ 480.81 | \$ 480.81 |
| 1 | FPT-361828-LD-S-N-S | Flex Technology Pedestal, 36D x 18W x 28H, Left Swing, Square, No Lock, | \$ 480.81 | \$ 480.81 |
| 1 | FPT-361828-RD-S-N-S | Flex Technology Pedestal, 36D x 18W x 28H, Right Swing, Square, No Loc | \$ 480.81 | \$ 480.81 |
| 1 | FPT-303028-PD-S-N-S | Flex Technology Pedestal, 30D x 30W x 28H, Pair of Doors, Square, No Lo | \$ 584.21 | \$ 584.21 |
| 1 | FPT-301828-RD-S-N-S | Flex Technology Pedestal, 30D x 18W x 28H, Right Swing, Square, No Loc | \$ 465.30 | \$ 465.30 |

Quotation

| | | |
|----------------------|--------------------------------|------------------|
| PROJECT #: | DC-10452-01 | Option: 9 |
| REVISION: | D | |
| PROJECT NAME: | Garden Grove Police Department | |



8189 Byron Road Whittier, CA 90606
 Tel: 800.350.2445 Fax: 562.698.8972
 www.russbassett.com

| QTY | PART NUMBER | DESCRIPTION | CMAS PRICE | EXTENDED |
|-----|---------------------|--|-------------|--------------|
| 1 | FPT-301828-LD-S-N-S | Flex Technology Pedestal, 30D x 18W x 28H, Left Swing, Square, No Lock, | \$ 465.30 | \$ 465.30 |
| 2 | FPT-363642-PD-S-N-S | Flex Technology Tower, 36D x 36W x 42H, Pair of Doors, Square, No Lock, | \$ 1,036.59 | \$ 2,073.18 |
| 2 | FPD-3618-BBF-S-N | Flex Drawer Pedestal, 36D x 18W, Box/Box/File, Square, No Lock | \$ 315.37 | \$ 630.74 |
| 1 | FPD-3018-BBF-S-N | Flex Drawer Pedestal, 30D x 18W, Box/Box/File, Square, No Lock | \$ 299.86 | \$ 299.86 |
| 2 | FSS-CS-60 | Flex Sit-Stand, 90° Corner, 60W, Single Lift | \$ 2,972.75 | \$ 5,945.50 |
| 1 | FSS-CS-66 | Flex Sit-Stand, 90° Corner, 66W, Single Lift | \$ 3,076.15 | \$ 3,076.15 |
| 5 | FSS-LS-72 | Flex Sit-Stand, Linear, 72W, Single Lift | \$ 2,833.16 | \$ 14,165.80 |
| 3 | FCF-42-T-SSP | Flex Sit-Stand Corner Filler, 42H, Tech Storage, Powder | \$ 465.30 | \$ 1,395.90 |
| 2 | FWS-SCS-3060-P-E | Work Surface, 90° Corner Sit-Stand, Single Lift, 30D x 60L, CMS, Endure | \$ 3,058.06 | \$ 6,116.12 |
| 1 | FWS-SCS-3066-P-E | Work Surface, 90° Corner Sit-Stand, Single Lift, 30D x 66L, CMS, Endure | \$ 3,094.25 | \$ 3,094.25 |
| 5 | FWS-SLS-3672-P-E | Work Surface, Linear Sit-Stand, Inset, Single Lift, 36D x 72L, CMS, Endure | \$ 2,936.56 | \$ 14,682.80 |
| 1 | FWS-FRE-3018-E | Work Surface, Rectangle, 30D x 18L, Endure | \$ 250.75 | \$ 250.75 |
| 4 | FWS-FRE-3618-E | Work Surface, Rectangle, 36D x 18L, Endure | \$ 354.15 | \$ 1,416.60 |
| 2 | FWS-FRE-3024-E | Work Surface, Rectangle, 30D x 24L, Endure | \$ 284.35 | \$ 568.70 |
| 1 | FWS-FRE-3030-E | Work Surface, Rectangle, 30D x 30L, Endure | \$ 317.96 | \$ 317.96 |
| 1 | FWS-FRE-3036-E | Work Surface, Rectangle, 30D x 36L, Endure | \$ 351.56 | \$ 351.56 |
| 1 | DAC-DT10-RMK-3 | 3U Desktop Rack - 10"D | \$ 340.71 | \$ 340.71 |
| 8 | WAC-CO-1P2U4D | Convenience Outlet Plate, 1 Power Outlet, 2 USB Power, 4 Data Ports | \$ 168.03 | \$ 1,344.24 |
| 8 | DAC-LED-DA-SW | Dimmable LED Task Light - Double Arm, Slatwall Mount | \$ 237.82 | \$ 1,902.56 |
| 28 | DAC-MA-01-SW-S | Fully Articulating Monitor Arm - Weight Range 5-16 lbs | \$ 232.65 | \$ 6,514.20 |
| 8 | DAC-MA-01-SW-75E-HD | Fully Articulating Monitor Arm - Weight Range 13.5-44 lbs | \$ 258.50 | \$ 2,068.00 |
| 2 | WAC-PAN-0718 | 7" PC Pan for 7" Wall, 18" Long | \$ 41.36 | \$ 82.72 |
| 8 | DAC-SW-PENCIL | Slatwall Pencil Cup | \$ 28.44 | \$ 227.52 |
| 7 | DAC-SW-PAPER | Slatwall Paper Flow Mgr. | \$ 77.55 | \$ 542.85 |
| 5 | WAC-GRND-BLDG-CBN | * Static Ground, Building CBN Jumper, 8' | \$ 48.00 | \$ 240.00 |
| 21 | WAC-GRND-STC-JMP-6 | * Static Ground Jumper Cable, 6" | \$ 12.00 | \$ 252.00 |
| 21 | DAC-HUBEXT5-S | Monitor Arm 5" Vertical Slatwall Hub Extension | \$ 59.46 | \$ 1,248.66 |
| 8 | DAC-VESA-2X2 | VESA Adapter Plate, 200mm x 200mm | \$ 64.63 | \$ 517.04 |
| 36 | DAC-CO-USB | USB Keystone - Coupler (Includes 15' Extension) | \$ 31.02 | \$ 1,116.72 |

Quotation

| | |
|---|------------------|
| PROJECT #: DC-10452-01 | Option: 9 |
| REVISION: D | |
| PROJECT NAME: Garden Grove Police Department | |



8189 Byron Road Whittier, CA 90606
 Tel: 800.350.2445 Fax: 562.698.8972
 www.russbassett.com

| QTY | PART NUMBER | DESCRIPTION | CMAS PRICE | EXTENDED |
|----------------|-------------|---|----------------------|------------------|
| AREA: 2 | | | AREA 2 TOTAL: | \$ 339.60 |
| | | Storage | | |
| 1 | SG-B-56 | *18.5"D x 36"W x 56"H Cabinet Shell | \$ 339.60 | \$ 339.60 |
| 2 | SB-DSG-15 | *15' Receding Door w/ Legal Depth Shelf | \$ 99.00 | \$ 198.00 |
| 1 | SB-PS-15 | *2" Posting Shelf | \$ 118.80 | \$ 118.80 |
| 2 | SB-F12 | *12" Drawers, 15D x 36"W | \$ 108.00 | \$ 216.00 |
| 6 | S-SD | *Shelf Divider | \$ 6.00 | \$ 36.00 |

Delivery and Installation services include Teardown and disposal of existing consoles.

On Contract Product Total: \$ 88,830.92
On-Contract Product Sales/Use Tax (7.75%): \$ 6,884.40
On Contract Total Cost: \$ 95,715.32

CMAS Contract #: 4-08-71-0077C; Contract term is 8/27/13 - 7/31/18.
 Prices shown herein are Net (California Multiple Award Discount Deducted) unless stated otherwise.
 * Denotes off-contract item / open market

*** Off Contract Product Total:** \$ 1,400.40
Off-Contract Product Sales/Use Tax (7.75%): \$ 108.54
Delivery and Installation Services: \$ 16,535.00

Off-Contract Total Cost: \$ 18,043.94

Total Due: \$ 113,759.26

Quotation

| | |
|---|------------------|
| PROJECT #: DC-10452-01 | Option: 9 |
| REVISION: D | |
| PROJECT NAME: Garden Grove Police Department | |



8189 Byron Road Whittier, CA 90606
Tel: 800.350.2445 Fax: 562.698.8972
www.russbassett.com

Drawings

Any drawing submitted to the Client under this Quotation must be signed-off as "approved for manufacture" and returned with applicable purchase order. Drawing REVISION level must match Quote REVISION level.

Delivery & Installation

A signed, completed delivery and installation checklist and purchase order is required to prevent any issues at time of delivery and installation. Any unique requirements encountered at time of delivery and installation not covered on the installation checklist will be invoiced at cost in addition to the charges quoted herein.

Russ Bassett ships your products using our "Safe Ship" program. The program simply states that we guarantee your products will arrive damage free anywhere in the 48 contiguous United States. If damage should occur, notify customer service and Russ Bassett will rush a replacement part or unit and pick up the damaged product.

Due to the custom nature of our products, Russ Bassett recommends using only Certified Russ Bassett Installers.

Purchase Order

Send to: Russ Bassett Corporation
Attn: Customer Service
8189 Byron Road
Whittier, CA 90606

Fax to: (562) 698-8972

Purchase orders must include the following information to process with Russ Bassett:
Sold to, Ship to, Order Date, Requested Delivery/Install Date, PO Number, Quantity, Full Model Numbers & Total.

All purchase orders must also accompany the following documents to be considered a complete order:
Signed drawing noting console and work surface colors and/or cabinet color, signed quotation, & installation checklist.

Quote is Valid for 90 days from date of issue; and, may only be extended in writing by Russ Bassett.

Payment Terms

Net 30 days after shipment invoice date.

Quotation

| | |
|---|------------------|
| PROJECT #: DC-10452-01 | Option: 9 |
| REVISION: D | |
| PROJECT NAME: Garden Grove Police Department | |



8189 Byron Road Whittier, CA 90606
Tel: 800.350.2445 Fax: 562.698.8972
www.russbassett.com

Lead-time

For the products covered under this proposal is eight (8) to ten (10) weeks AAO (After Acceptance of Order).

Incomplete Purchase Orders may delay the ship date; actual date will be confirmed on written Order Acknowledgement.

Warranty

Russ Bassett Corporation warrants to the original customer that all Desience manufactured products as quoted or proposed will be free from defects in materials and workmanship for the following warranty period:

1. Limited Lifetime Warranty for Russ Bassett Corporation manufactured Desience products.
2. Limited Term Warranty for all Russ Bassett Corporation non-manufactured products or components that are added or integrated into a Russ Bassett Corporation manufactured product shall be warranted as outlined in the original manufacture's warranty.

If a Performance Bond is required for this project, the warranty covered by the Performance Bond is limited as follows: 'Notwithstanding anything stated in the contract, purchase order, or specifications, the bond only covers a 1 year parts and labor warranty. Any additional warranty will not be the responsibility of the Surety and will be the sole responsibility of Russ Bassett'.

Change Order & Cancellation Policy

Changes to an order, once it has been processed, can be very disruptive and costly. Once an order has been started in manufacturing, usually within 4 weeks of the scheduled ship date, it is not possible to make changes.

Any requests for changes to the design or scope of work shall be made in writing. RBC will notify Buyer if it is possible to accommodate the change requests. If there is still time to accommodate the change requests, RBC will provide a quotation covering the cost and lead-time impact of the change. If these impacts are acceptable to Buyer, RBC will produce changed drawings for review and approval. No change will be made without sign-off of the updated quote and drawing by Buyer.

Any cancellation requests must be submitted in writing and approved by an officer of Russ Bassett. Upon acceptance of canceled order, a cancellation charge of 25% of the contract amount will be incurred over and above the cost of materials produced or in production, labor or other services performed, freight, taxes and any other out of pocket expenses also incurred by Russ Bassett.

Acceptance Signature

Authorized Signature

Print Name of Authorized Signature

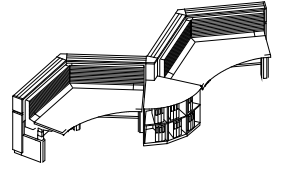
Print Title

Print Company Name

P.O. Number

Date of Authorization

desience



russett

8189 Byron Rd, Whittier, CA 90606 (800) 350-2445

SAE:

Ava Rabago

DESIGNER:

TC

REVISIONS

REV DATE DESCRIPTION BY

| REV | DATE | DESCRIPTION | BY |
|-----|------|-------------|----|
| | | | |
| | | | |
| | | | |
| | | | |
| | | | |
| | | | |
| | | | |
| | | | |
| | | | |
| | | | |

CUSTOMER:

Garden Grove PD

PROJECT ADDRESS:

PROJECT NAME:

DRAWING #

DC-10452-01

FINAL APPROVAL BY:

SHEET DESCRIPTION:

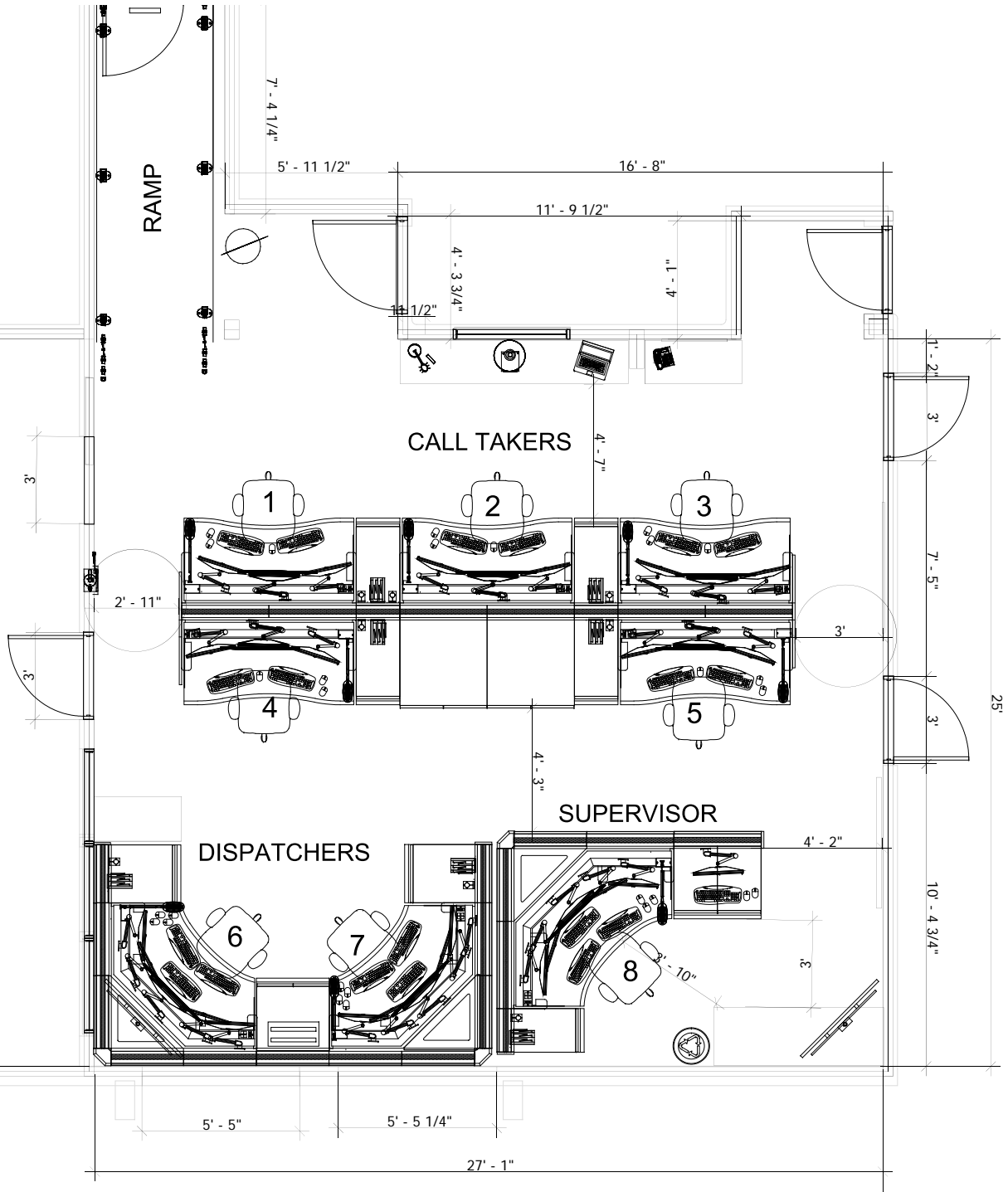
PLAN VIEW

SCALE:

NONE

| OPTION | REV | SHEET |
|--------|-----|-------|
| 9 | D | 1/1 |

IT ROOM



RUSS BASSETT CORPORATION HEREBY EXPRESSLY RESERVES ITS COMMON LAW COPYRIGHT AND OTHER PROPERTY RIGHTS IN THESE PLANS. THESE PLANS ARE NOT TO BE COPIED, REPRODUCED OR CHANGED IN ANY FORM OR MANNER WHATSOEVER, NOR ARE THEY TO BE ASSIGNED TO ANY THIRD PARTY WITHOUT FIRST OBTAINING THE EXPRESS WRITTEN PERMISSION AND CONSENT OF RUSS BASSETT CORPORATION.

24"D PC Cabinets

| Cabinet Width | Fixed Shelf | | | Slide-Out Shelf | | |
|---------------|-------------|---------|---------|-----------------|---------|-------|
| | Width | Height | Depth | Width | Height | Depth |
| 12" | 10" | 24 3/4" | 20 1/4" | 7 1/4" | 23 5/8" | 16" |
| 18" | 16" | 24 3/4" | 20 1/4" | 13 1/4" | 23 5/8" | 16" |
| 24" | 22" | 24 3/4" | 20 1/4" | 19 1/4" | 23 5/8" | 16" |
| 30" | 28" | 24 3/4" | 20 1/4" | 24 3/4" | 23 5/8" | 16" |
| 36" | 34" | 24 3/4" | 20 1/4" | 30 3/4" | 23 5/8" | 16" |

30"D PC Cabinets

| Cabinet Width | Fixed Shelf | | | Slide-Out Shelf | | |
|---------------|-------------|---------|---------|-----------------|---------|-------|
| | Width | Height | Depth | Width | Height | Depth |
| 12" | 10" | 24 3/4" | 26 1/4" | 7 1/4" | 23 5/8" | 22" |
| 18" | 16" | 24 3/4" | 26 1/4" | 13 1/4" | 23 5/8" | 22" |
| 24" | 22" | 24 3/4" | 26 1/4" | 19 1/4" | 23 5/8" | 22" |
| 30" | 28" | 24 3/4" | 26 1/4" | 24 3/4" | 23 5/8" | 22" |
| 36" | 34" | 24 3/4" | 26 1/4" | 30 3/4" | 23 5/8" | 22" |

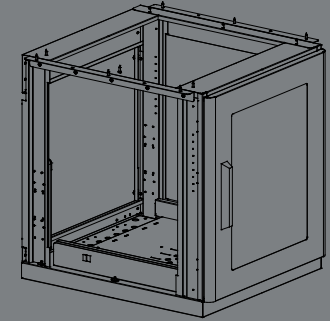
36"D PC Cabinets

| Cabinet Width | Fixed Shelf | | | Slide-Out Shelf | | |
|---------------|-------------|---------|---------|-----------------|---------|-------|
| | Width | Height | Depth | Width | Height | Depth |
| 12" | 10" | 24 3/4" | 32 1/4" | 7 1/4" | 23 5/8" | 22" |
| 18" | 16" | 24 3/4" | 32 1/4" | 13 1/4" | 23 5/8" | 22" |
| 24" | 22" | 24 3/4" | 32 1/4" | 19 1/4" | 23 5/8" | 22" |
| 30" | 28" | 24 3/4" | 32 1/4" | 24 3/4" | 23 5/8" | 22" |
| 36" | 34" | 24 3/4" | 32 1/4" | 30 3/4" | 23 5/8" | 22" |

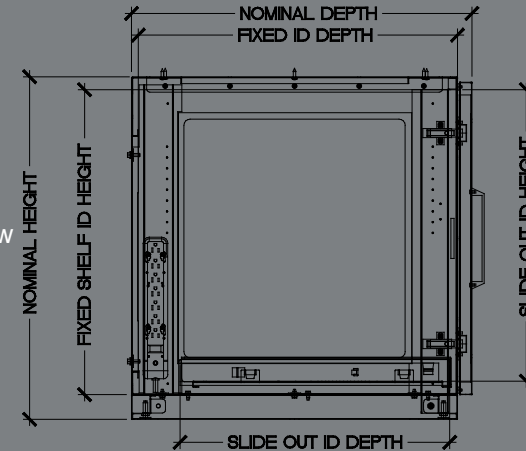
All dimensions shown above are nominal internal cabinet clear ID's.

Features

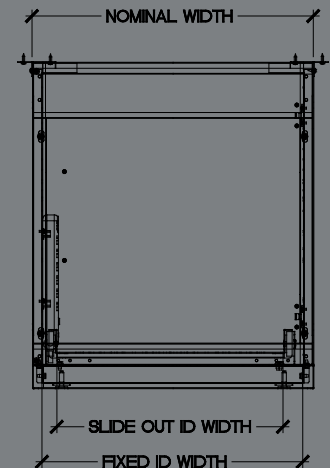
- Each PC Cabinet comes standard with one 7 outlet 15 Amp surge protector with 15' cord.
- 12" – 24" PC Cabinets have a single door, 30" – 36" PC Cabinets have a pair of doors.
- PC cabinets can be specified with or without locks
- PC cabinets can be specified with or without Slide-Out shelves
- All PC Cabinets can be specified with a secondary Slide-Out shelf mounted at different heights within the cabinets (ordered separately).
- 24"W PC cabinets have a 14U front & rear rack rail kit available.



3D View

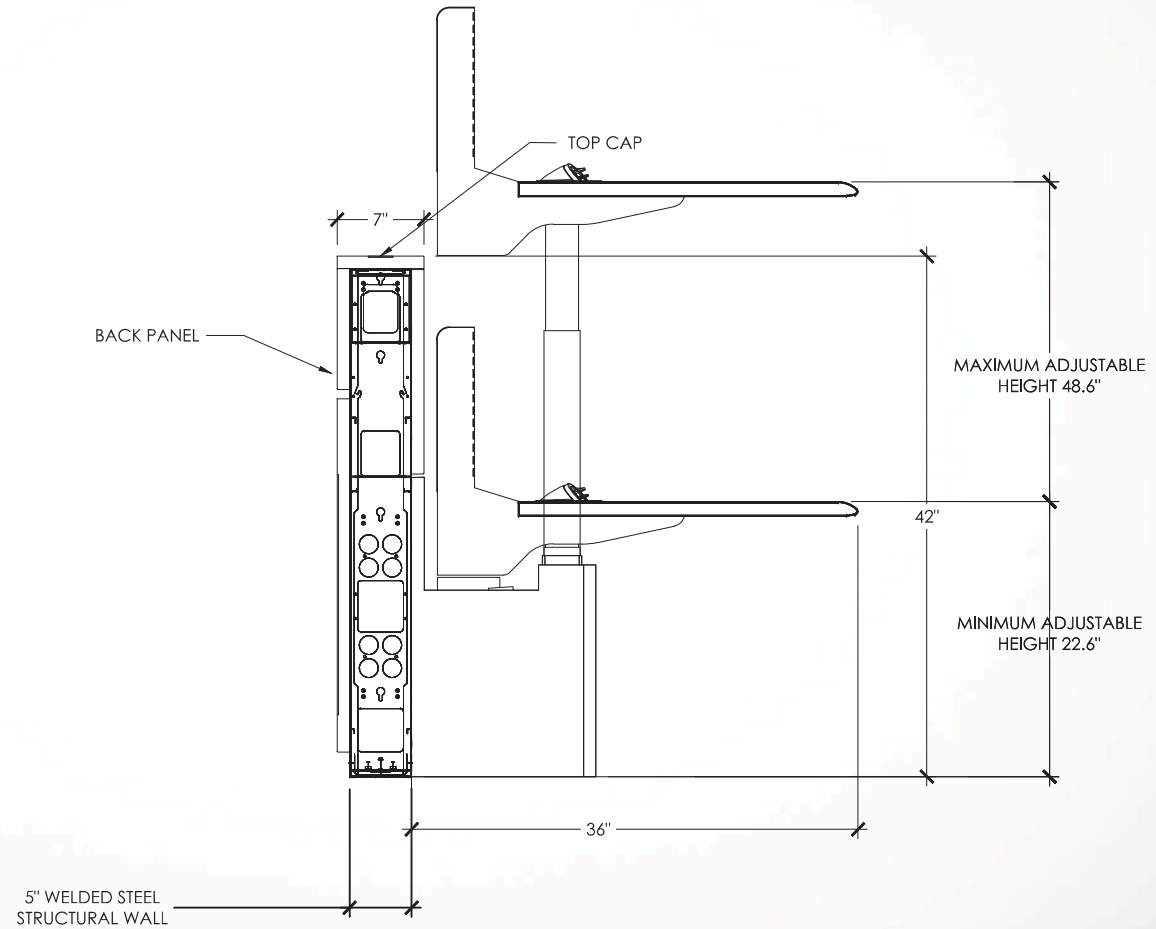


Side View

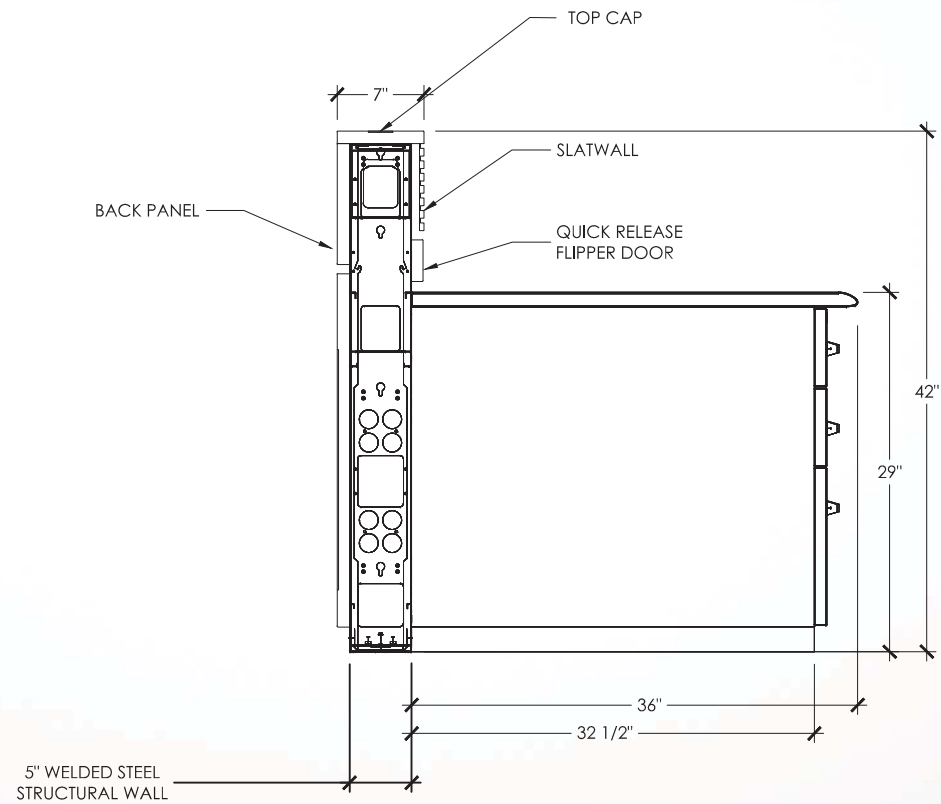


Front View

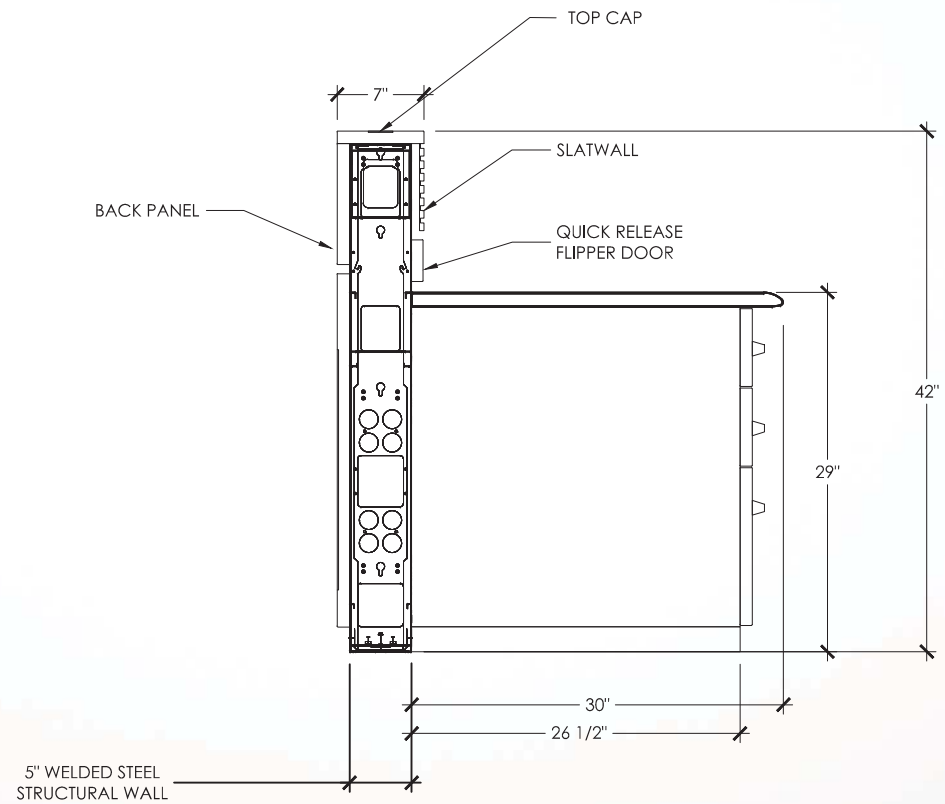
7" FLEX WALL SIDE ELEVATION



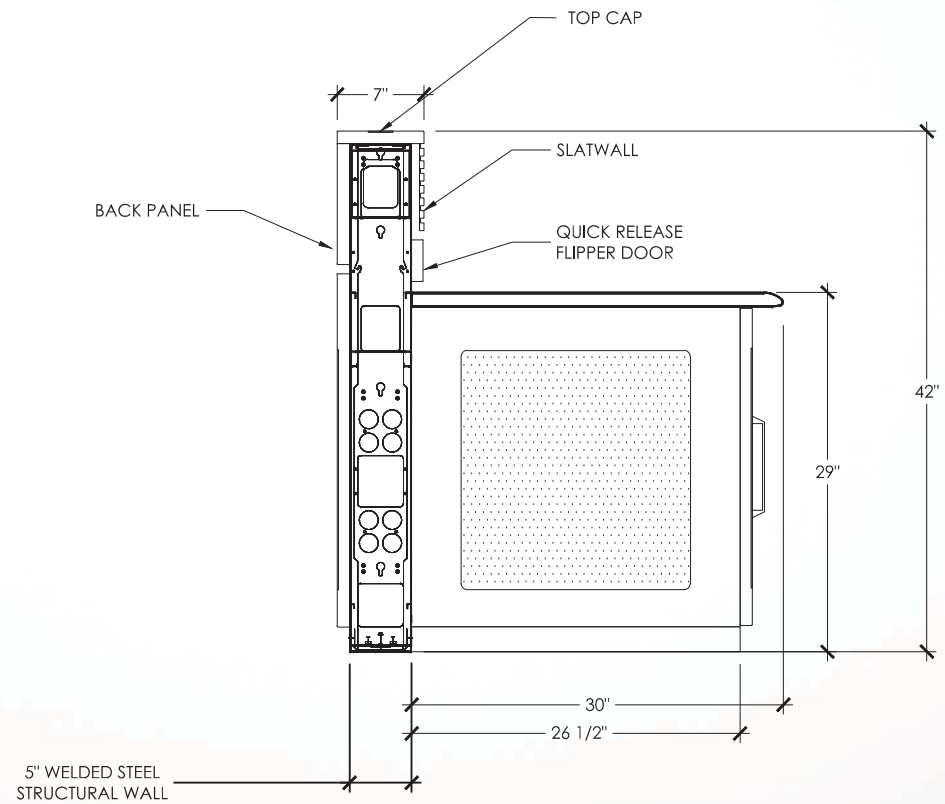
7" FLEX WALL SIDE ELEVATION



7" FLEX WALL SIDE ELEVATION



7" FLEX WALL SIDE ELEVATION





SAE:
AVA RABAGO

DRAWN BY:
LR

REVISIONS

| REV | DATE | DESCRIPTION | BY |
|-----|----------|----------------------|----|
| A | 05-15-15 | REVISION | LR |
| B | 12-04-15 | FULL DRAWING PACKAGE | CC |

CUSTOMER:
GARDEN GROVE POLICE DEPT.

PROJECT ADDRESS:
11301 ACACIA PKWY
GARDEN GROVE, CA 92840

PROJECT NAME:
GARDEN GROVE POLICE DISPATCH

NUMBER OF POSITIONS:
8

SCALE:
AS NOTED

FINAL APPROVAL BY:

DATE:

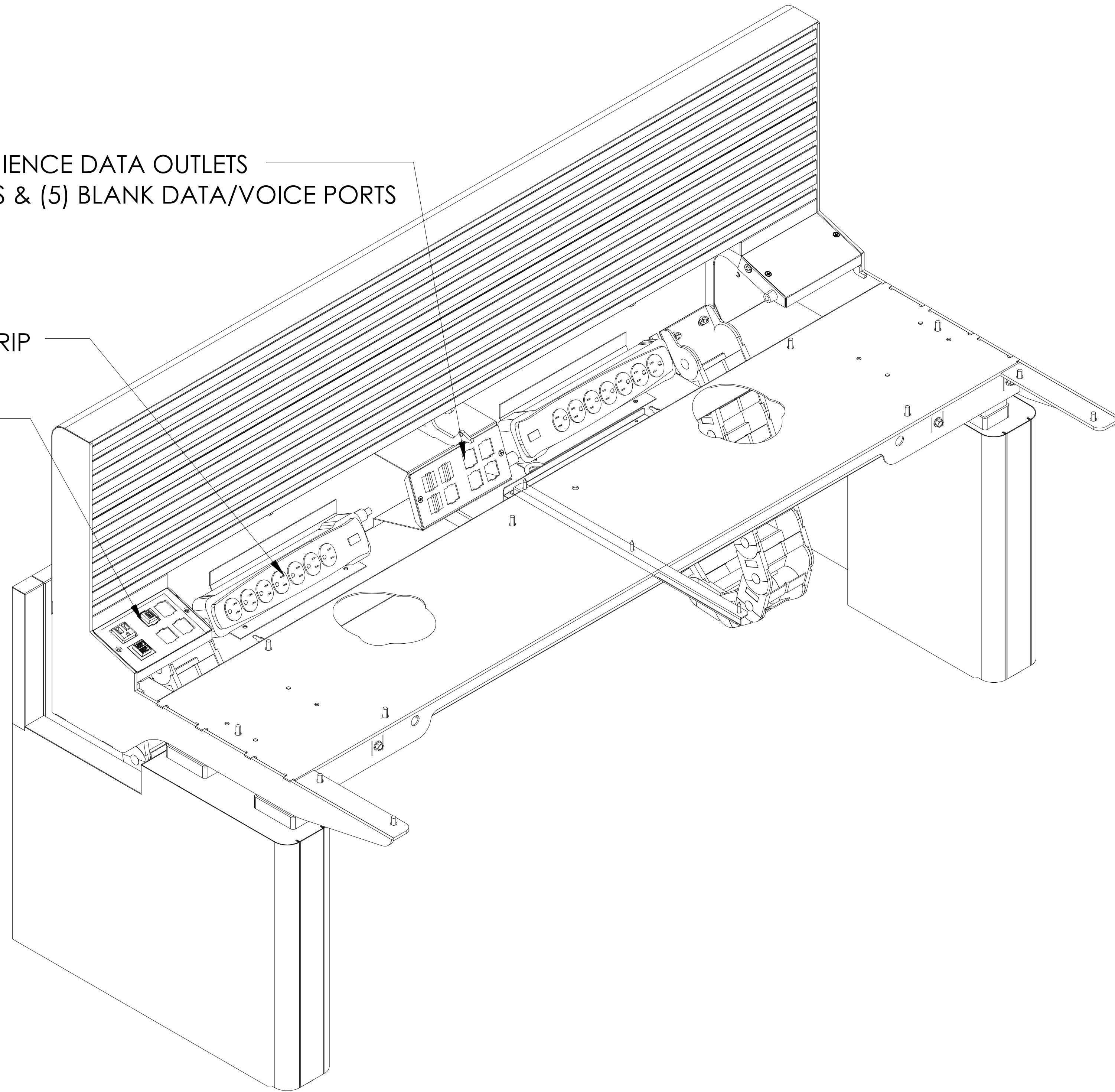
SHEET DESCRIPTION:
POWER/DATA SCHEMATIC 2

| DRAWING # | OPTION | REV. | SHEET |
|-------------|--------|------|-------|
| DC-10452-01 | 9 | D | 1 |

CONVENIENCE DATA OUTLETS
W/ (3) USB KEYSTONES & (5) BLANK DATA/VOICE PORTS

7 OUTLET POWER STRIP

CONVENIENCE POWER/DATA OUTLETS -
W/ (1) POWER OUTLET (2) POWERED USB,
(1) USB KEYSTONE &
(3) BLANK VOICE/DATA PORTS

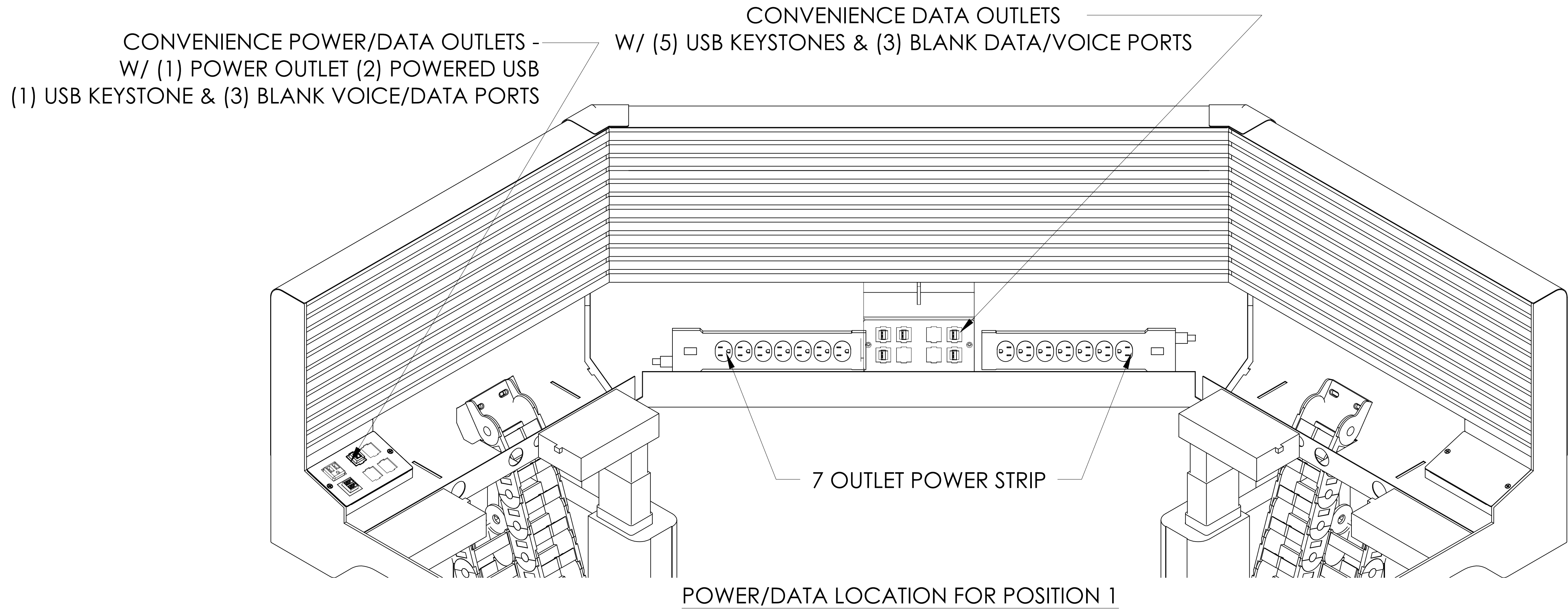


POWER/DATA LOCATION FOR POSITION 4 - 8

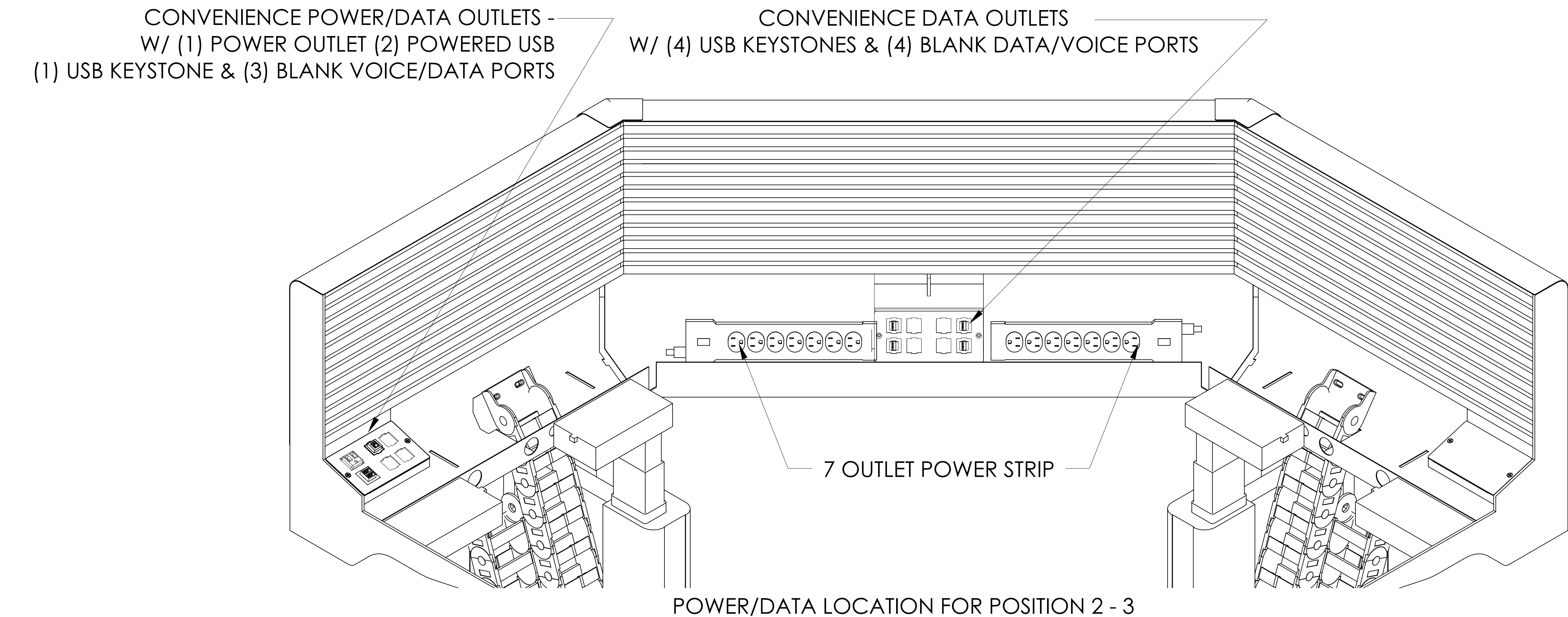


SAE:
AVA RABAGO
DRAWN BY:
LR

| REVISIONS | | | |
|-----------|----------|----------------------|----|
| REV | DATE | DESCRIPTION | BY |
| A | 05-15-15 | REVISION | LR |
| B | 12-04-15 | FULL DRAWING PACKAGE | CC |



POWER/DATA LOCATION FOR POSITION 1



POWER/DATA LOCATION FOR POSITION 2 - 3

CUSTOMER:
GARDEN GROVE POLICE DEPT.
PROJECT ADDRESS:
11301 ACACIA PKWY
GARDEN GROVE, CA 92840
PROJECT NAME:
GARDEN GROVE POLICE DISPATCH
NUMBER OF POSITIONS:
8
SCALE:
AS NOTED

FINAL APPROVAL BY:
DATE:

SHEET DESCRIPTION:
POWER/DATA SCHEMATIC 1

| DRAWING # | OPTION | REV. | SHEET |
|-------------|--------|------|-------|
| DC-10452-01 | 9 | D | 1 |

PROJECT PLANNING CHECKLIST

| | |
|-------------------|-------------------|
| Customer: _____ | Date: _____ |
| Address: _____ | RB Contact: _____ |
| City/State: _____ | Cell: _____ |
| Contact: _____ | Email: _____ |
| Phone: _____ | |
| Email: _____ | |

CHECK APPLICABLE BOXES

RECEIVING

- Loading dock available: Y N
- Delivery site can accept 53' trailer: Y N
- Restricted hours of use: Y N
- Receiving hours: _____

SPECIAL INSTALLATION CONSIDERATIONS

- Customer to remove existing equip: Y N
- RB/Installer to remove existing equip: Y N
- Dumpster provided by customer: Y N
- Single phase installation: Y N
- Multiple phase installation: Y N
- If multiple phase, please describe: _____
- _____
- Anchoring: Y N
- If yes, please describe: _____
- _____
- Grounding: Y N
- If yes, please describe: _____
- _____

INSTALL LOCATION

- Delivery made to which floor(s): _____
- One room Multiple rooms
- Access to freight elevator: Y N
- Access to passenger elevator: Y N

INSTALLATION

- Non-Union labor: Y N
- Union/Prevailing Wage labor: Y N
- Security clearance required: Y N
- Additional information: _____
- _____
- _____

ELECTRICAL SOURCES:

- Wall: Y N
- Floor: Y N
- Ceiling: Y N
- Additional information: _____
- _____
- _____

COMMENTS OR ADDITIONAL INFORMATION:

| |
|--|
| |
| |
| |
| |
| |
| |
| |
| |
| |
| |
| |

Section 4

Product Information
Brochure
Data Sheets
Warranty
Specifications
Finishes



“...I would like to thank the entire Russ Bassett team for their leadership and design innovation...”

- Lee Ann Magoski

MARIN COUNTY SHERIFF'S OFFICE

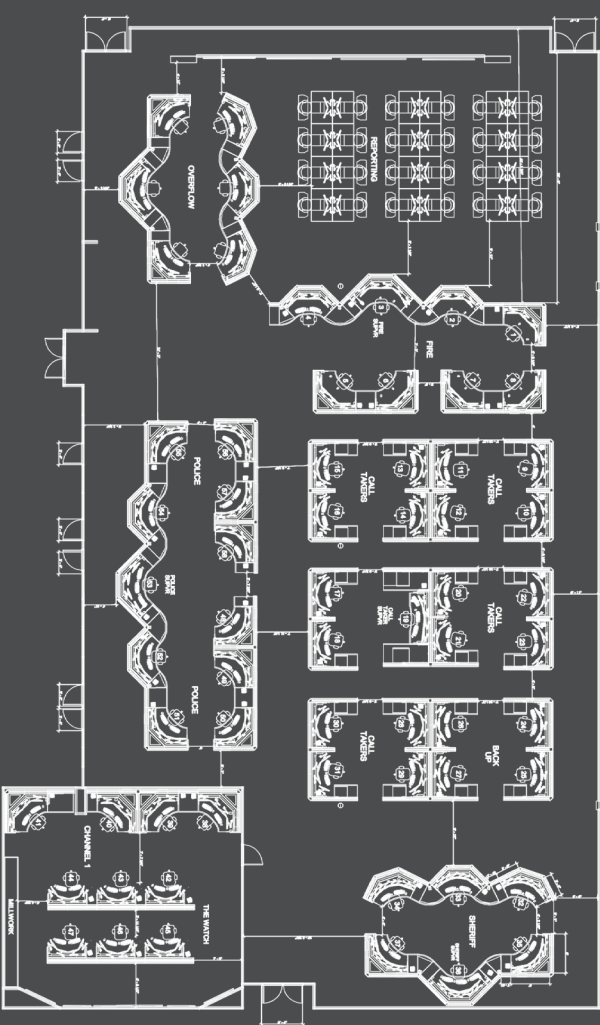


THE EXPERTISE OF RUSS BASSETT

As a leading designer and manufacturer of public safety console furniture, Russ Bassett offers a full service approach from project inception through successful project completion. We are experts in critical space

RUSS BASSETT PUBLIC SAFETY PROJECT EXPERIENCE INCLUDES:

- Bexar Metro 9-1-1 Network District Regional Operations Center
- Chagrin Valley Regional Communications Center
- Collier County Sheriff's Department
- El Paso County 9-1-1 District Regional Operations Center
- Hamilton County 911 Emergency Communications District
- Louisville MetroSafe 911
- Raleigh-Wake Emergency Communications Center
- San Diego Sheriff's Department
- Sarasota County Sheriff's Office
- South Bay Regional Public Communications Center
- Valley Communications Center



SYSTEM DESIGN

Our highly skilled team focuses on creating room design layouts and console configurations based on industry expertise and your people, space, technology and workflow requirements.

KEY ELEMENTS

- SPACE PLANNING
- OPERATIONAL REQUIREMENTS
- CONTINGENCY & GROWTH PLANNING
- TRAFFIC FLOW PATTERNS
- HEALTH, SAFETY & PERFORMANCE
- CONCEPTUAL DRAWINGS/RENDERINGS
- CONSOLE DESIGN & PLACEMENT



“I would like to thank the entire Russ Bassett team for making our vision a reality. The quality of your product and the professionalism of your staff more than exceeded our expectations.”

- Shannon Kauffman

SOUTH BAY REGIONAL PUBLIC COMMUNICATIONS AUTHORITY

CONSOLE FEATURES

Russ Bassett Consoles incorporate several unique design features that are the result of extensive industry research and customer feedback.

The ergonomic and modular design make Russ Bassett Consoles the ideal solution to meet the varied requirements of both personnel and technology in a multitude of mission critical work environments.

Russ Bassett Consoles offer advanced ergonomics, unmatched structural integrity, advanced technology integration and customization options.

KEY ELEMENTS

- MODULAR ERGONOMIC DESIGN
- UNPARALLELED STRUCTURAL INTEGRITY
- HEIGHT-ADJUSTABLE WORKSURFACES
- MONITOR DISPLAY SOLUTIONS
- EQUIPMENT STORAGE
- TECHNOLOGY INTEGRATION
- UNLIMITED CONFIGURATION OPTIONS
- CUSTOMIZATION OPTIONS

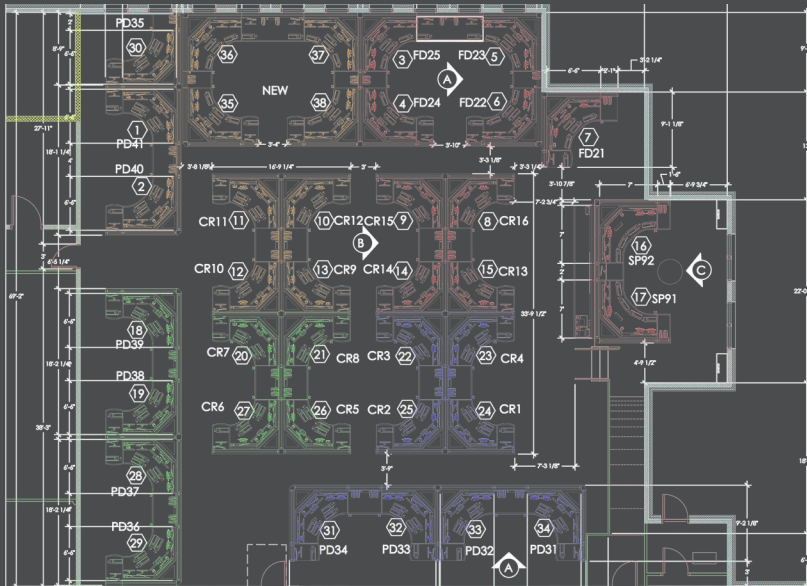


PROJECT MANAGEMENT

Russ Bassett Project Managers work in close coordination with the customer and data, electrical and technology providers to ensure all aspects of the project have been reviewed and that no details are overlooked. The assigned Project Manager will establish project timelines, attend project meetings and monitor project progress.

KEY ELEMENTS

- WORK CLOSELY WITH CUSTOMER TO UNDERSTAND ALL PROJECT NEEDS
- VERIFY SITE REQUIREMENTS
- DEFINE PROJECT SCHEDULE BASED ON CUSTOMER NEEDS
- MANAGE INSTALLATION TEAM
- OVERSEE PROJECT STAGES FROM MANUFACTURE THROUGH FINAL INSTALLATION
- ENSURE PROJECT COMPLETION IS ON TIME AND BUDGET



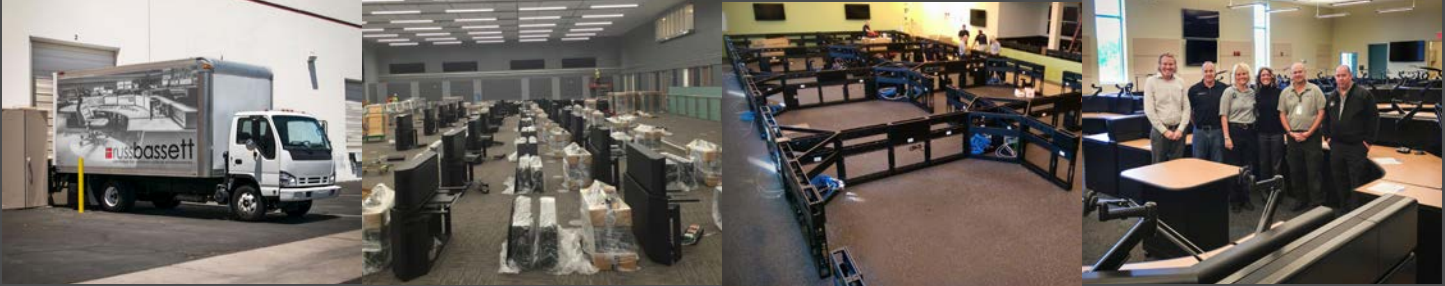
DELIVERY AND INSTALLATION

Our professional Delivery and Installation Services team is experienced to properly install Russ Bassett consoles in the uniquely challenging 24/7 mission critical work environment. Prior to console shipment, a Project Planning Guide is completed to ensure site specific details are properly communicated and documented.

Russ Bassett takes pride in a job well done. Sharing our satisfied customer installation surveys with other prospective customers is a testament to our objective of creating showplace work environments.

KEY ELEMENTS

- PROJECT PLANNING GUIDE
- UNDERSTAND SITE CONDITIONS
- STAGE AND ASSEMBLE
- SPECIALIZED PACKAGING AND CARRIERS
- RUSS BASSETT ON-SITE PROJECT MANAGER
- EXPERIENCED INSTALLATION TEAMS
- POST INSTALLATION WALK-THROUGH
- ON-SITE CONSOLE OPERATION TRAINING
- INSTALLATION SURVEY

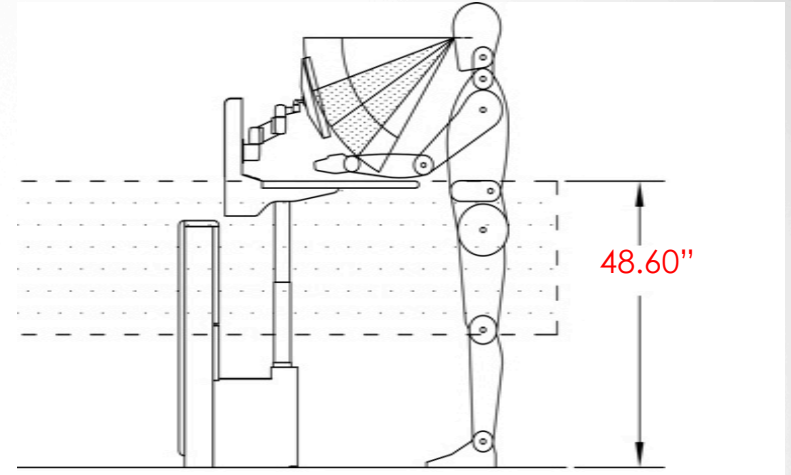




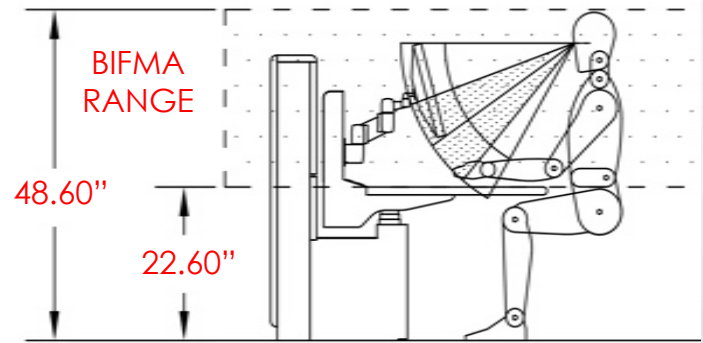
 russbassett
www.russbassett.com

8189 BYRON ROAD WHITTIER, CA 90606 | TEL 562.945.2445 / FAX 562.698.8972 | INFO@RUSSBASSETT.COM

HEIGHT ADJUSTABLE



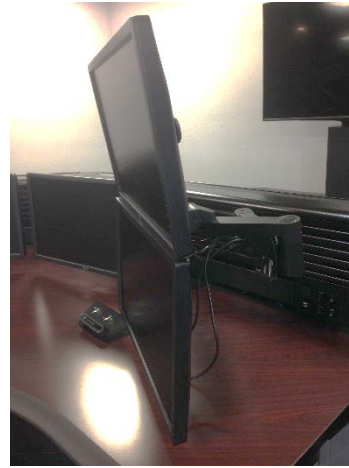
95th% MALE STANDING



5th% FEMALE SITTING

Dual Articulating Monitor Mount

Model Number
DAC-MA-11-SW-75E-HD



Product Specs

Capabilities:

- Slatwall Mountable
- 75mm and 100mm VESA compatible
- Quick Release VESA brackets
- 18" of Vertical Adjustment (+/- 9" from horizontal)
- 27" Fully Extended

Monitor Weights:

DAC-MA-11-SW-75E-HD

- 10 – 40lbs (5 – 20lbs per monitor)

Finish:

Black Matte Finish

Product Features

- Fully articulating slatwall mounted dual monitor arm.
- Monitor arm can be converted from a dual monitor configuration to a single monitor configuration or vice versa.
- Quick release VESA brackets for easy monitor installation or removal.
- Internal Cable management route cables through arm.
- Monitors can be positioned horizontally (side by side) or vertically (one over the other).

desience

russebassett

RUSS BASSETT LIMITED LIFETIME WARRANTY

Russ Bassett Corporation warrants to the original customer that all Russ Bassett manufactured products as quoted or proposed will be free from defects in materials and workmanship for the following warranty period:

1. Limited Lifetime Warranty for Russ Bassett Corporation manufactured products.
2. Limited Term Warranty for all Russ Bassett Corporation non-manufactured products or components that are added or integrated into a Russ Bassett Corporation manufactured product shall be warranted as outlined in the original manufacturer's warranty.

Russ Bassett is the single point of contact for any and all warranty claims under this warranty agreement. This warranty does not cover ordinary maintenance, normal wear and tear, abuse, improper use, negligence, accident, alterations, damage due to shipping and handling, repair or installation not performed by a certified Russ Bassett Corporation representative, products which have not been maintained or operated in accordance with Russ Bassett Corporation written instructions. This warranty does not cover any damage to customer equipment that is caused by circumstances unrelated to the quality and/or functionality of Russ Bassett Corporation's products. In addition this warranty does not cover consumable items including, but not limited to, light bulbs, filters, etc.

No claims under this warranty will be valid unless Russ Bassett Corporation receives written notice within a reasonable time of discovery of the defect and no later than the expiration of the applicable warranty period. In the event that Russ Bassett Corporation does not receive written notice prior to the expiration of the applicable warranty period, Russ Bassett Corporation shall have no obligation to repair or replace the product and shall have no other liability whatsoever under this warranty.

Russ Bassett Corporation will replace or repair (at its option) any products which are covered by this warranty and which are found to be defective. Russ Bassett Corporation may provide a substitute product of equal or greater value to resolve a warranty claim. No cost to the customer shall be incurred for any items covered under warranty. Russ Bassett Corporation assumes responsibility for freight and installation. Any product or component that is replaced or repaired will not extend the applicable warranty period.

In the event that the product failure is a result of non-warrantable items, an hourly rate will be applied for work performed plus expenses including, but not limited to, product, installation, transportation, and accommodations.

The foregoing warranty is exclusive and is in lieu of all other warranties, express or implied, provided by Russ Bassett Corporation including without limitation implied warranties of merchantability and fitness for a particular purpose.

Product repair or replacement is the customer's exclusive remedy for any and all product defects. Russ Bassett Corporation accepts no liability beyond the remedies set forth in this warranty statement. In addition, Russ Bassett Corporation shall not be liable for any incidental, consequential or special damages including, without limitation, damages for lost profits or revenues or costs incurred as a result of lost time, data, use of the product or from any other cause whatsoever, whether based on warranty (expressed or implied), contract, or tort including negligence. In no event shall Russ Bassett Corporation's liability exceed the purchase price of the product purchased.

If a Performance Bond was provided for this project, the warranty covered by the Performance Bond is limited as follows: 'Notwithstanding anything stated in the contract, purchase order, or specifications, the bond only covers a 1 year parts and labor warranty. Any additional warranty will not be the responsibility of the Surety and will be the sole responsibility of Russ Bassett'.

RUSS BASSETT NON-MANUFACTURED PRODUCT WARRANTY INFORMATION

LINAK Limited Warranty

LINAK U.S. Inc. Lifting Columns are warranted for a period of five (5) years from the date of shipment.

Console Management System Warranty

Russ Bassett warrants that our Console Management System will be free from defects in material and workmanship to the original purchaser for three (3) years from the date of shipment.

Monitor Arms Warranty

Monitor Arms are warranted for ten (10) years from the date of shipment against defects in materials and workmanship. Monitor arms will be repaired or replaced under this warranty.

Task Lighting

LED Task Lighting is warranted for five (5) years from the date of shipment against defects in materials and workmanship. Task Lights will be repaired or replaced under this warranty.

Ambient and CPU LED Lights are warranted for three (3) years from the date of shipment against defects in materials and workmanship and will be repaired or replaced under this warranty.

Work Surfaces Warranty

Russ Bassett warrants that our work surfaces will be free from defects for up to ten (10) years from the date of shipment where we deem these products to have been subjected to normal use. This warranty applies to laminate worksurfaces and substructures, solid edge and edgeband, and all hardware.

Power Strips, Desktop Outlets, Data Keystones, and Data and Signal Cables

Power strips, desktop outlets, data keystones, and data and signal cables are warranted for five (5) years from the date of shipment and will be replaced under this warranty.

Laminate Panels

Russ Bassett warrants that all laminate panels and case goods such as Lockers and Laminate storage cabinets will be free from defects for five (5) years from the date of shipment, where we deem these products to have been subjected to normal use.

Fabric Panels

Russ Bassett warrants that all fabric panels will be free from defects for five (5) years from the date of shipment, where we deem these products to have been subjected to normal use.

Acrylic Panels and Privacy Dividers

Russ Bassett warrants that all acrylic panels and privacy dividers will be free from defects for five (5) years from the date of shipment, where we deem these products to have been subjected to normal use.

Iron Horse Seating Chair Warranty

Heavy Duty Frame Warranty – Ten (10) Years from date of sale for 24-hour use.

All Other Structural Components – Coverage includes all mechanical components for a period of five (5) years from date of shipment for 24-hour use.

Armrests, Cushions, and Trim – Covered for three (3) years for normal wear and tear for 24-hour use. Abuse is not covered.

Casters - Covered for one (1) year for normal wear and tear for 24-hour use.

Russ Bassett Corporation Warranty Statement

This warranty applies to all Russ Bassett Console products purchased on or after January 1, 2016

PRODUCT SPECIFICATION DOCUMENT

*The following specification document details the minimum requirements of the Flex furniture system.
Please note Specifications are subject to change without notice.*

1) SYSTEM OVERVIEW

- a) The **Flex** product features an ergonomic and modular design that make it the ideal technical furniture platform solution for a multitude of technology intensive environments including 9-1-1 emergency communication centers, network operations centers, power & utility control rooms and transportation control centers.
- b) **Flex** combines the flexibility of modularity and the functionality of customizable technology integration with unsurpassed ergonomics. The single-surface sit-stand workstation exceeds the requirements of HFES 100-2007 and ANSI/BIFMA in a durable steel console designed for 24/7/365 mission critical applications.

2) SYSTEM DESCRIPTION

- a) **Flex** is designed to provide an ergonomic, durable, modular platform to support technology intensive, 24/7/365 environments.
- b) The backbone of **Flex** system consists of a structural wall that supports the work surfaces, lifting systems, technology storage and personal storage. The structural wall not only provides the structural integrity of the system, it also provides cable management channels for power and data distribution, J-box mounting locations for power and data terminations and accommodations for technology integration such as CPU's, UPS's, KVM switches, vertical rack equipment and other peripheral devices.
- c) The horizontal cable troughs enable red/black separation per AFSSI-7702 requirements.
- d) **Flex** is available in both fixed height and height adjustable configurations.
- e) The structural wall can be configured in single sided or double sided configurations.
- f) The Structural wall can be configured with Slatwall, Fabric and Powder Coated finishes, or combinations of them.
- g) Additional accessories can be added to the **Flex** structure to further customize and add to its functionality, including user convenience accessories as well as brackets and mounting kits for integration of technology.
- h) **Flex** is constructed from cold rolled steel, steel tubing, extruded aluminum and is fully welded.
- i) All steel and aluminum surfaces are coated with a heavy duty epoxy polyester hybrid powder coat with a uniform application.

- j) All mechanical connections between components are steel to steel bolt together construction for optimal structural integrity and easy reconfiguration.
- k) Modular design allows for any components to be added, reconfigured, or removed for future growth.

3) ERGONOMICS AND SAFETY

- a) **Flex** consoles are designed in accordance with the ergonomic standards of HFES 100-2007 AND BIFMA G1-2002. This also puts us in compliance with ADA requirements, European Standards EN-527-1 and British Standards ISO 9241-5 for height adjustable workstations.
- b) Height adjustable workstations adjust from 22.2" - 48" and utilize a single-surface design that puts the entire work surface at a comfortable working height without any seams in the surface or keyboard mechanisms to get in the way. This also makes it easier to achieve a downward gaze to the monitors since the entire surface can achieve the HFES/BIFMA requirements for input device platforms. This solution coupled with fully articulating monitor arms provides the ultimate in ergonomic flexibility.
- c) Height adjustable consoles are equipped with a mechanical safety switch located at the front edge of the work surface.
- d) All height adjustable workstations are equipped with an integrated mechanical anti-collision switch located at the front edge of the work surface. If an obstruction is detected the actuation of the workstation immediately halts and reverses direction approximately 1". The mechanical switch does not rely on controller sensors that look for sudden spikes in the amperage draw of each leg, which is unreliable. The mechanical switch triggers the anti-collision feature regardless of the speed of impact.
- e) All height adjustable surfaces include safety gaps to prevent pinch points.
- f) All panels have steel radiuses on corners for comfort and safety.

4) STRUCTURAL WALL DETAILS

- a) Structural walls are constructed from 16 and 18 gauge welded cold rolled steel components.
- b) Structural walls are available in two depths, 5" and 8" (without finish panels).
- c) Structural walls are available in heights of 30.5", 42", 53.5" and 65".
- d) Structural walls are available in 18", 24", 30", 36", 42", 48" and 54" widths.
- e) The structural wall has a floor level horizontal cable trough, a beltline level cable trough and an above surface cable trough for every tier of slatwall, allowing for separation of data and power, as well as red/black separation for secure information processing applications.

- f) The floor level horizontal cable trough is 3 ¾"H x 4 7/8"W.
- g) The beltline and upper cable management troughs are 4 ¾"H x 4 7/8"W.
- h) All cable management channels are designed to allow for unobstructed horizontal and vertical cable management.
- i) Each structural wall end frame has three horizontal cable management pass through ports below desk level, plus another pass through location at each upper trough level.
- j) Each structural wall end frame provides mounting locations for two (four total per structural wall section) standard 1900 junction boxes for power and data termination. In addition to top and bottom access for each J-box, holes in the end frame are provided to allow access the J-Box's rear knock-outs providing ultimate wiring flexibility.
- k) The base of the structural wall has multiple 4"W x 8"L cutouts to allow for power and data feeds to enter through the bottom of the structural wall in raised floor applications.
- l) Each structural wall section has four (two per side) 1 ½" removable cable grommets along the base to allow for cables to enter or exit the front or back side of the wall.
- m) Each structural wall for fixed height applications is equipped with one 7 outlet, 15 Amp surge protector with 10' cord.
- n) Structural walls have two 3/8 - 16 x 1 ½" leveling glides, one each located at the far left and right of each wall section.
- o) Structural walls have two ¼ - 20 grounding studs, one each located at the far left and right of each wall section to allow grounding of the system at any point.
- p) Walls can be configured for single sided or double sided configurations.
- q) The exterior of the wall is clad in 1" thick lift-off 18 gauge cold rolled steel panels with 16 gauge perforated steel welded inserts on the bottom panel to provide ventilation for heat producing equipment. The upper panels provide access to the upper tier troughs.
- r) Interior panels are 1" thick steel lift off panels that include ventilation holes along inside and bottom surfaces for maximum ventilation and heat dissipation.
- s) Each structural wall includes a vented top cap in conjunction with the vented inside and outside panels to provide a chimney effect for heat dissipation. The top cap is also removable to provide top access to the upper cable trough for lay-in capability.
- t) Interior panels can be individually specified with extruded aluminum slatwall or acoustical fabric panels.
- u) The first structural wall tier above the desk surface has a continuous full width quick release cable access flipper door to allow cables to pass from the work surface through the adders to the structural wall base, eliminating the need to drill grommet holes into the work surface. If the first tier is slatwall, there is a gap above the flipper door to allow cables to enter above the door so

- they don't block the door swing.
- v) Each additional slatwall tier includes a removable access panel to allow monitor/equipment cables to enter at each tier.
 - w) Each first structural wall adder tier has the ability to add beltline power and data convenience outlets to the far left, right or both sides of each wall section. Convenience outlets have the ability to be retrofitted in the field without modification to the base structure.
 - x) The top of each structural wall section is capped with a snap on vented top cap to provide access to the upper most horizontal cable management channel.
 - y) All structural walls and panels are finished with an epoxy polyester hybrid powder coat with a minimum 1.0 mil. dry film thickness.

5) CORNER CONNECTORS

- a) Corner connectors are constructed of 16 gauge cold rolled welded steel components.
- b) Corner connectors are available in 30.5", 42", 53.5" & 65" heights.
- c) Corner connectors are available in 22.5°, 45°, 60° & 90° configurations.
- d) Corner connectors are available in "L" configurations for single sided applications, "T" configurations for back to back applications, "Y" configurations for 3-way cluster applications and "X" configurations for 4-way cluster configurations.
- e) Corner connectors have the same horizontal cable management ports as the adjoining structural walls to provide continuous unobstructed horizontal cable management channels.
- f) All corner connectors are finished with an epoxy polyester hybrid powder coat with a minimum 1.0 mil. dry film thickness.

6) STORAGE

- a) All storage cabinets are constructed of 16 and 18 gauge cold rolled steel components.
- b) All storage cabinets attach to equal or greater widths of the base structural wall.
- c) Cabinets are available in 24", 30" & 36" nominal depths.
- d) Cabinets are available in 12", 18", 24", 30" & 36" nominal widths.
- e) Personal storage cabinets are available in box/box/file, file/file & open shelf configurations.
- f) Personal storage cabinets with drawers can be configured with or without locks and can be keyed alike or different depending on configuration.
- g) Drawers are mounted to full extensions 100lb rated ball bearing suspensions.
- h) PC storage cabinets include perforated welded inserts on the side panels for ventilation, and the back is open to the structural wall for unobstructed cable access.

- i) PC storage cabinets are available with or without slide-out equipment shelves.
- j) PC storage slide-out equipment shelves are equipped with full extension 150lb rated ball bearing slides.
- k) Each PC storage cabinet is equipped with one 7 outlet, 15 Amp surge protector with 10' cord.
- l) PC cabinets can be configured with or without locks and can be keyed alike or different depending on configuration.
- m) 12", 18" & 24" wide PC cabinets have a single door that can be specified with a left or right hand swing depending on location. Door swing can be changed in the field without modification to the base structure. 30" and 36" wide PC cabinets have double doors.
- n) All doors have soft close, quick release, adjustable European style hinges.
- o) PC cabinet doors are constructed of 18 gauge cold rolled steel with 16 gauge perforated welded inserts to provide ventilation for heat producing equipment.
- p) All storage units are finished with an epoxy polyester hybrid powder coat with a minimum 1.0 mil. dry film thickness.

7) WORK SURFACE

- a) Work surfaces are constructed of 1 1/8" thick ASTM A 208.11-M-3 grade particle board pressure bonded with a horizontal grade HPL surface and HPL backer.
- b) The work surface is edge banded on sides and back with a rigid thermally fused PVC 2mm edge.
- c) The work surface front edge has a soft, flexible matte finish PVC bullnose.
- d) Work surface flammability to meet, Class 1/A under ASTM E-84.
- e) Work surfaces are available in 24", 30" & 36" nominal depths.
- f) The work surface is supported by storage cabinets, full depth end panels, half depth support legs or support gussets depending on application.

8) HEIGHT ADJUSTBALE WORKSTATIONS

- a) Height adjustable workstations are available in three configurations: linear, 120° & 90° corner workstations.
- b) Linear workstations include two (2) heavy-duty Lifting columns.
- c) 120° workstations include three (3) heavy-duty lifting columns.
- d) 90° corner workstations include four (4) heavy-duty lifting columns.
- e) Lifting columns are enclosed in a welded steel support leg constructed of a 16 gauge structural box frame that is attached to the structural wall.
- f) Height adjustment range is from 22.2" to 48" from the floor to the top of the work surface, which exceeds the HFES 100-2007, ANSI/BIMFA G1-2002 and all European standards for input

- device platforms.
- g) Lifting columns have a lifting capacity of 300lbs and travel at approximately 1.5"/second for fast, easy adjustments. Fast adjustments increase the likelihood of being used to transition from sitting to standing working postures throughout the day.
 - h) Lifting columns support a slatwall profile and trough structure that also supports the work surface. This keeps the work surface and all slatwall mounted accessories/monitors moving together.
 - i) Slatwall profile and trough structure are constructed of 3/16" steel plate and 16 & 18 gauge cold rolled steel.
 - j) Height adjustable workstations utilize a single surface design that puts the entire work surface at a comfortable working height without any seams in the surface or keyboard mechanisms to get in the way.
 - k) Slatwall system is used to support monitors on fully articulating monitor arms and other accessory items.
 - l) Trough provides horizontal cable management system, power distribution, and data termination points.
 - m) The trough is connected to the structural wall with two energy chains that provide vertical cable management that pass cables from the height adjustable workstation to the structural wall. This ensures that enough cable is used to prevent pulling throughout the entire height range, and keeps the cables neat and safe.
 - n) Energy chains have an interior dimension of 2 7/8"W x 1 1/2"D.
 - o) The trough has two locations to mount optional beltline convenience power and data outlets for easy access to power and data ports at the work surface level.
 - p) The trough is accessed behind the work surface through full width quick release cable access flipper doors allowing cables to enter or exit the trough at any point eliminating the need to drill grommet holes in the work surface.
 - q) All height adjustable workstations are equipped with an integrated mechanical anti-collision switch located at the front edge of the worksurface. If an obstruction is detected the actuation of the workstation immediately halts and reverses direction approximately 1".

9) MONITOR MOUNTS

- a) All monitor mounts have fully articulating movement and are adjustable for varying monitor weights and dimensions.
 - i) Thermo-fused polyester black finish
 - ii) Single motion 5 axis position adjustment

- iii) High pressure die-cast aluminum construction
 - iv) Conforms to VESA 75mm and 100mm mounting patterns
 - v) Height Adjustment - 14" (356mm) (+7" to -7")
 - vi) Arm extension - 22" (556mm)
 - vii) Arm rotation - 359 degrees
 - viii) Extension arm rotation - 359 degrees
 - ix) Bracket Arm rotation (with monitor) - 230 degrees
 - x) Monitor swivel - 359 degrees
 - xi) Monitor tilt - 180 degrees
 - xii) Folded depth - 4" (102mm)
 - xiii) Pneumatic counterbalance - Adjustable for 7 lb. to 22 lb. (3kg - 10kg) monitors (other ranges available)
- b) All monitor mounts can mount to an integrated slatwall frame that moves with the primary console slatwall.



 russbassett
www.russbassett.com